

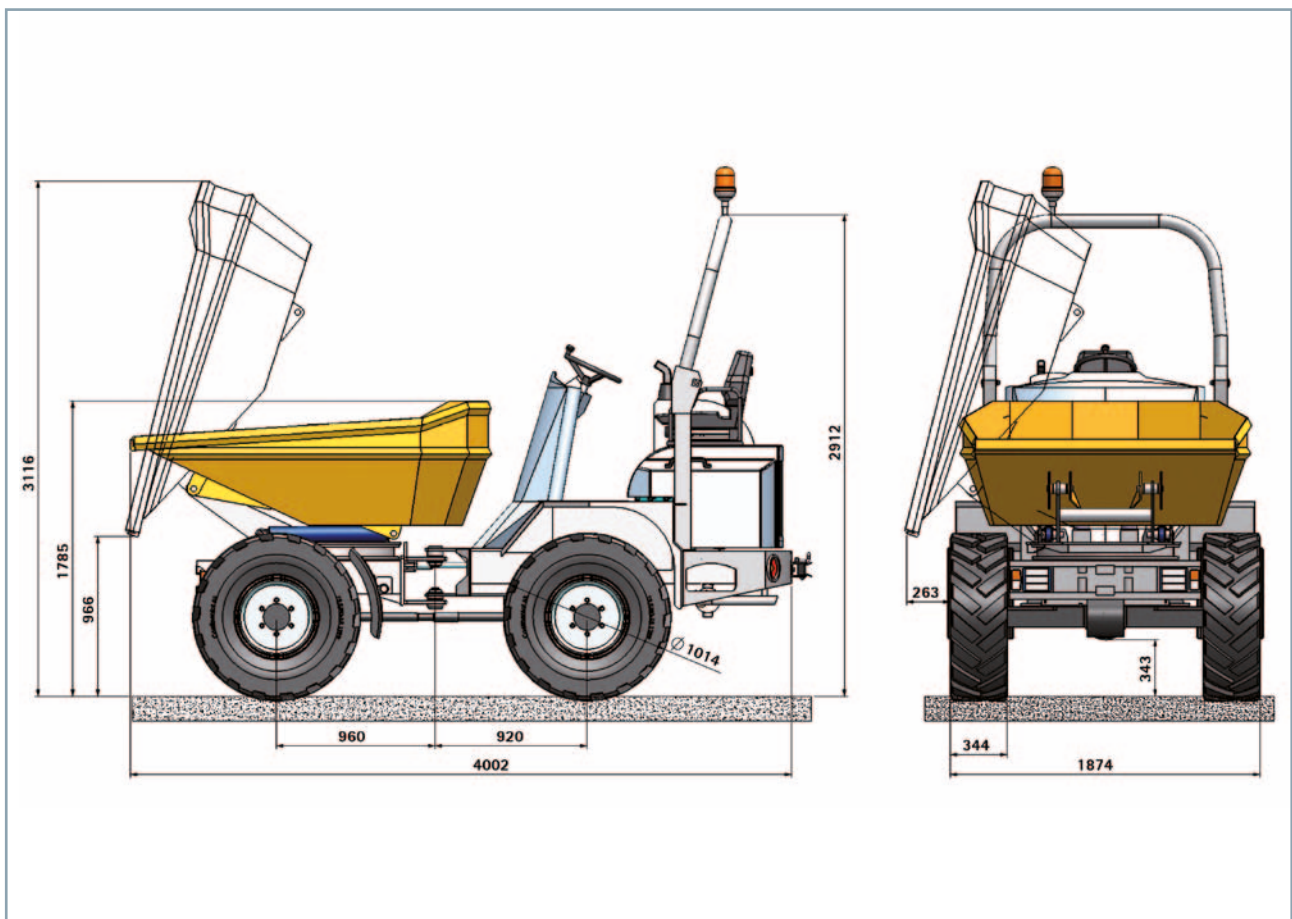
Bergmann Dumper 2040 R



Wheel dumper | open
Swivel Tip



- High stability by oscillating axle
- Hydraulic park brake
- Instrument board lowerable and lockable
- Type test approval by TBG



BERGMANN

2040 R

Technical Data



Wheel-Dumper | open
Swivel Tip

Weight/Bucket Capacity

payload	4.000 kg
empty weight	2.800 kg
loading capacity struck	1,5 m ³
loading capacity heaped	2,3 m ³
bucket system	hydraulically swivelling and tipping bucket by 180°

Dimensions

clearance height	2.912 mm
tipping height	966 mm
loading height (front)	1.550 mm
total length	4.005 mm
total width	1.874 mm
ground clearance	343 mm

Transmission

hydrostatic 4-wheel-drive with automotive control	
speed I	0–10 km/h
speed II	0–25 km/h

Steering

hydraulic articulated steering acting over priority flow
steering angle 40° to each side

Axles/Brakes

front axle rigid, rear axle oscillating stored $\pm 12^\circ$, maintenance-free-oil-bath multi-disc brake with automatic adjustment in the front axle, hydraulically applicated locking brake acting over articulated shaft on front and rear axle

Engine

4 cylinder Kubota diesel engine – water cooled –
output power 35,9 kW with 2.800 rpm

Tires

standard, 12.5/80-18 AS profile

Tank Capacity

fuel	50 L
hydraulic oil	40 L

Electrics

12 V electric installation with main switch, control panel for engine water temperature, fuel and service hour meter, control lamps for engine oil; park brake, direction indicator, battery charging control, hydraulic filter, display for drive position

Standard Equipment

hydro sprung seat adjustable and collapsible, instrument panel lowerable and lockable ignition key, tow-bar coupling, lighting system according to German traffic regulations, bucket from abrasion-proof fine-grain steel, EC declaration of conformity, operator's manual/spare parts list

